

Junction box for modular system

The JBU-100 kit is designed to connect power to up to three Raychem BTV, QTVR, XTV, KTV or VPL industrial parallel heating cable and is approved for use in hazardous locations.

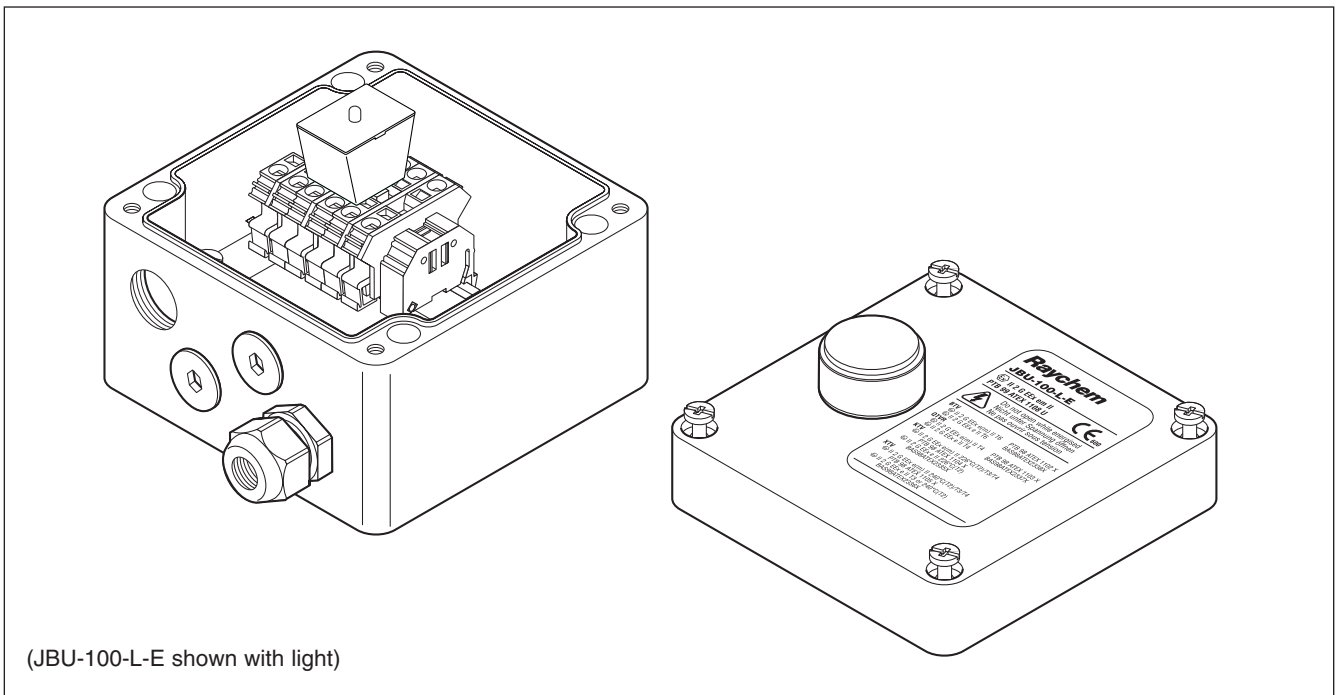
Innovative CAGE CLAMP® terminals from WAGO provide fast installation and safe, reliable, maintenance-free operation.





The box is part of the modular component system, it allows for maximum flexibility and can be either wall or pipe mounted.

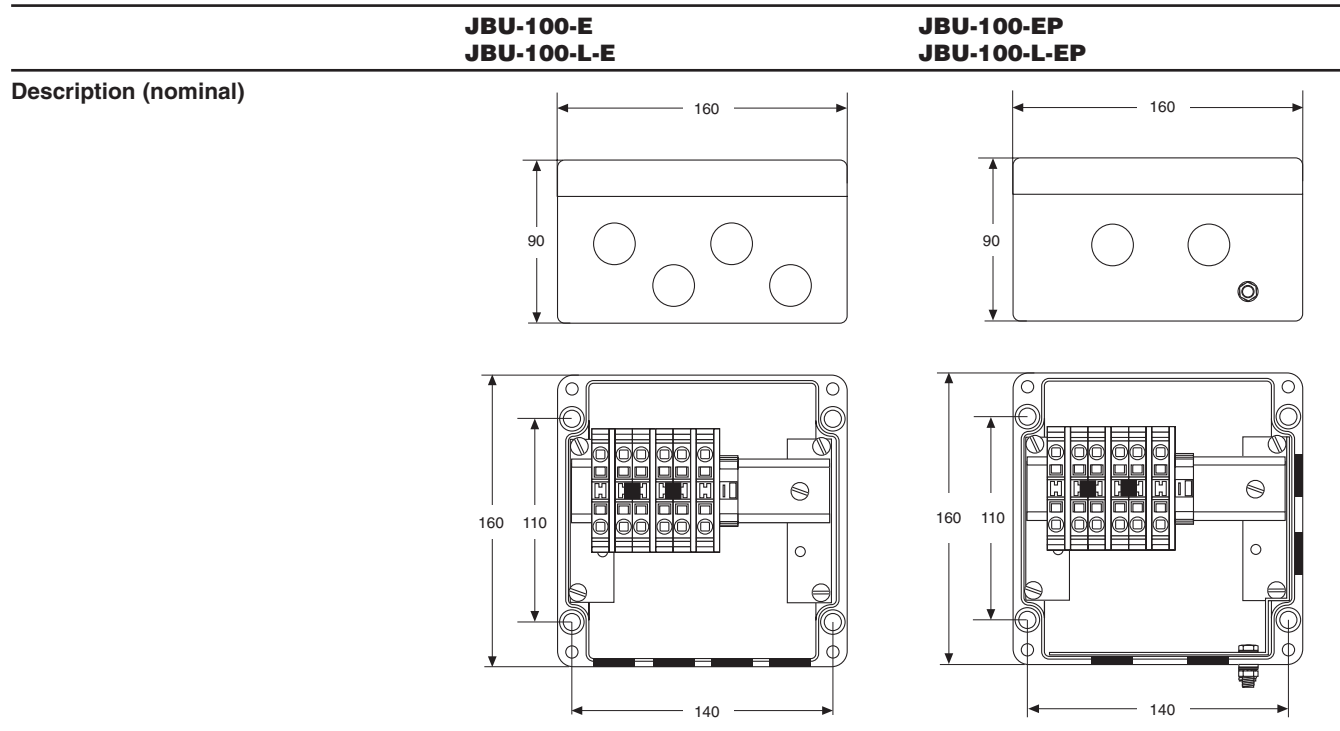
Connection kits (M25) and insulation entry kits have to be ordered separately.

The box is offered in two basic versions customised to local installation practices.

All kits are also available as a lighted version (-L). These include a unique light module with a superbright green LED that simply plugs into the terminals, and a lens in the lid. This provides indication that power is available in the box.



	JBU-100-E JBU-100-L-E	JBU-100-EP JBU-100-L-EP
Description	This box is for use in Europe and provides four M25 threaded entries, stopping plugs and one plastic power cable gland.	This box is for use in Europe and provides four M25 entries, an earthing plate and an external earth stud. It is designed for use with armoured power cables and metal glands.
Kit contents	<ul style="list-style-type: none"> 1 junction box with terminals 1 light module (for -L only) 1 M25 gland for 8-17mm diameter power cable 2 M25 stopping plugs 	<ul style="list-style-type: none"> 1 junction box with terminals with earth plate and external earth stud 1 light module (for -L only) 2 M25 stopping plugs
Approvals	<div style="display: flex; align-items: center;">  <div style="margin-left: 10px;"> <p>II 2 G/D EEx e II IP 66 II 2 G/D EEx em II IP 66 PTB 99 ATEX 1108 U</p> </div> </div> <div style="display: flex; align-items: center; margin-top: 5px;">  <div style="margin-left: 10px;"> <p>Ex e II T* Ex em II T* (for -L only)</p> </div> </div> <p>DNV approval DNV Certificates No. E-5121 and No. E-5122</p>	<div style="display: flex; align-items: center;">  <div style="margin-left: 10px;"> <p>II 2 G/D EEx e II IP 66 II 2 G/D EEx em II IP 66 PTB 99 ATEX 1108 U</p> </div> </div> <div style="display: flex; align-items: center; margin-top: 5px;">  <div style="margin-left: 10px;"> <p>Ex e II T* Ex em II T* (for -L only)</p> </div> </div> <p>DNV approval DNV Certificates No. E-5121 and No. E-5122</p>
	*For T-rating, see heating cable or design documentation	



Raychem product specifications		
Ingress protection	IP66	IP66
Entries	4 x M25	4 x M25
Min. ambient temperature	-50°C to +40°C (JBU-100-E) -40°C to +40°C (JBU-100-L-E)	-50°C to +40°C (JBU-100-EP) -40°C to +40°C (JBU-100-L-EP)
Terminals	WAGO 284 series (EEx e) 2 phase, 2 neutral, 2 ground	WAGO 284 series (EEx e) 2 phase, 2 neutral, 2 ground
Max. conductor size	10 mm ² stranded, 10 mm ² solid	10 mm ² stranded, 10 mm ² solid
Max. operation voltage	AC 550 V	AC 550 V
Max. current rating	40 A	40 A

Materials of construction		
Enclosure, lid	Glass filled engineering polymers, carbon filled, black	Glass filled engineering polymers, carbon filled, black
Lid screws	Stainless steel	Stainless steel
Lid gasket	Silicone rubber	Silicone rubber
Earth continuity plate	N/A	Steel, zinc plated, and yellow chromated

Optional LED indicator light		
Colour	Green	Green
Voltage rating	100-254 Vac	100-254 Vac
Power consumption	< 1 W	< 1 W

Accessories		
Heating cable connection kits	C25-100, C25-21	C25-100, C25-21
Insulation entry kit	IEK-25-04 or IEK-25-PIPE	IEK-25-04 or IEK-25-PIPE
Power cable gland	GL-36-M25 (included)	GL-38-M25-METAL (optional)
Junction box support bracket (optional)	SB-100, SB-101	SB-100, SB-101

Ordering details		
Junction box		
Part Description	JBU-100-E	JBU-100-EP
PN (Weight)	051976-000 (1.7 kg)	243948-000 (1.8 kg)
Junction box with light		
Part Description	JBU-100-L-E	JBU-100-L-EP
PN (Weight)	069262-000 (2.1 kg)	113974-000 (2.2 kg)