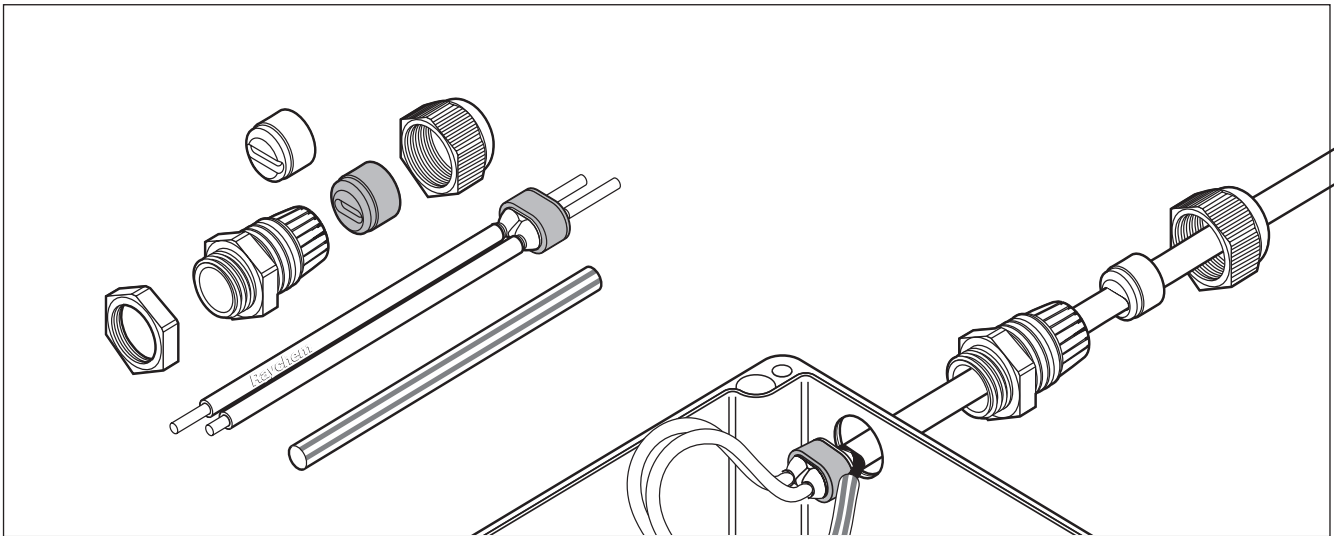



## Cold applied connection kit

This connection kit is designed for terminating all Raychem BTV, QTVR, XTV, KTV and VPL industrial parallel heating cables to a junction box, whilst maintaining electrical insulation of the heating cable conductors and core.

It is approved for use in hazardous areas. The core sealing boot does not require a heat gun or torch for the installation (no hot work permit necessary). The non-curing sealant (silicone free) allows easy installation and facilitates maintenance purposes.

Two grommets supplied in this kit enable the gland to maintain optimum sealing under various ambient conditions. An additional locknut is provided for unthreaded entries.



<b>Application</b>	Connection kit for BTV, QTVR, XTV, KTV and VPL parallel heating cables.
<b>Kit contents</b>	1 gland, 2 grommets, 1 locknut, 1 core sealer, 1 green/yellow tube, 1 installation instruction (multilingual)
<b>Approvals</b>	 II 2 G/D EEx e II by PTB according to EN 50 014, EN 50 019 PTB 98 ATEX 1015 U DNV Certificate No. E-5121 and E-5122

### C25-100

<b>Raychem product specification</b>	
Area classification	Hazardous, Zone 1, Zone 2 (Gas), Zone 21, Zone 22 (Dust) Ordinary
Type	cold applied
Thread size	M25 x 1.5
Min. ambient temperature	-50°C
Max. exposure temperature (gland)	110°C

<b>Ordering details</b>	
Part description	C25-100
PN (Weight)	263012-000 (70 g)