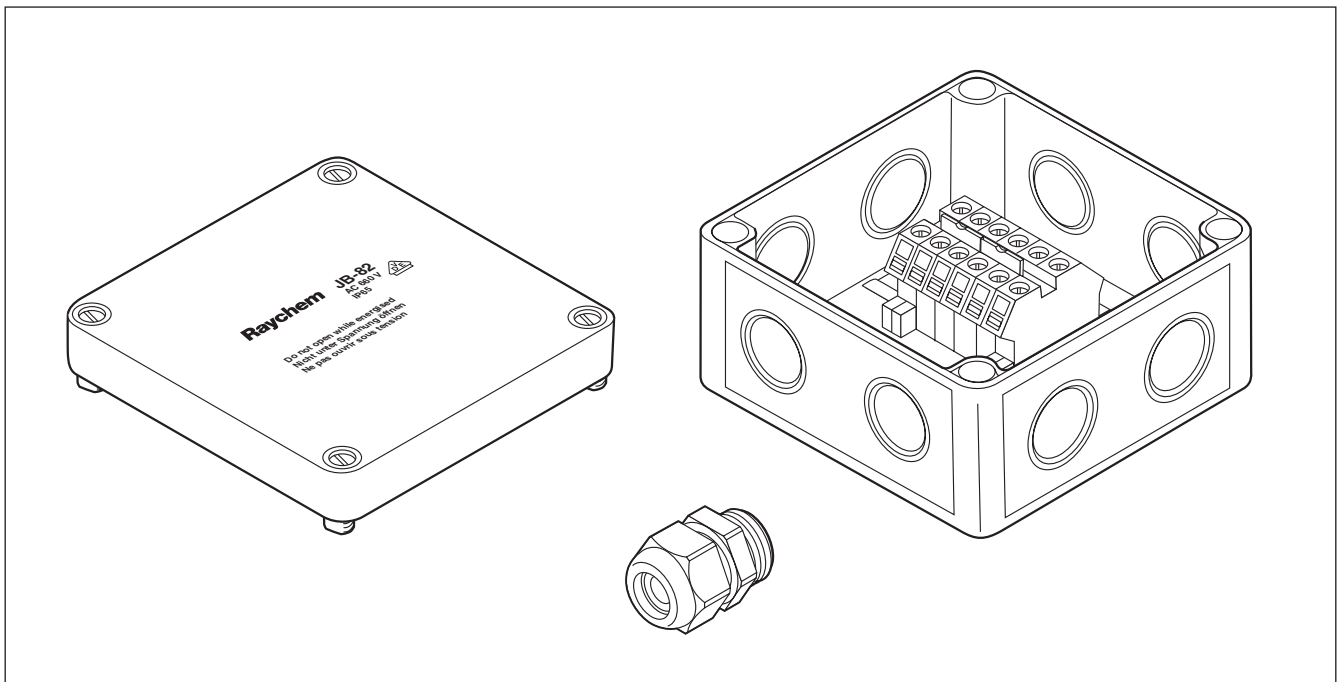


Junction box

The JB-82 is a standard, non-hazardous polycarbonate junction box. It may be used to make a power connection, splice, powered splice, powered tee or simple tee, for use with Raychem self-regulating heating cables.

Up to four heating cables or three heating cables and the appropriate size power cable can be accommodated through the four entries and connected to the rail mounted terminals.

For pipe mounting, it is recommended that this box is used with a Raychem support bracket.



JB-82

Enclosure

Area of use	Ordinary (indoors and outdoors)
Protection	IP66
Entries	4 M20/25
Exposure temperature	-35°C to +115°C
Base	Grey glass filled polycarbonate
Lid	Grey polycarbonate
Lid gasket	Foamed polyurethane

Phase terminals

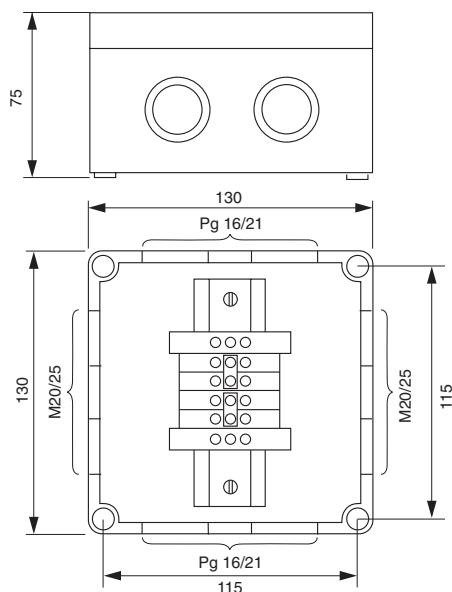
Conta-Clip RK6-10	Din rail mounted
Voltage rating	750 V
Max. conductor size	0.5 – 10 mm ² (solid and stranded)
Current rating	61 A
Quantity	Two cross-connected groups of two

Earth terminals

2 Conta-Clip SL10/35

JB-82

Dimensions (in mm)



JB-82

Mounting

Through holes moulded in the base of the junction box	
Centres	115 x 115 mm
Size	5 mm diameter
Cable gland	Polyamide with locknut for cable diameters from 9 to 16 mm.

Accessories

Junction box support bracket	SB-100, SB-101, SB-110, SB-111
------------------------------	--------------------------------

Ordering details

Part description	JB-82
PN (Weight)	535679-000 (471 g)